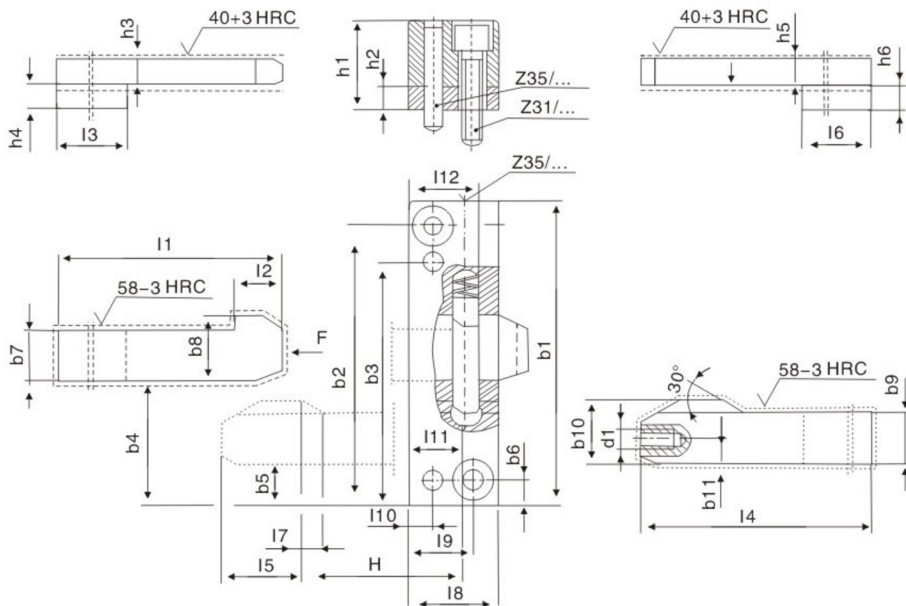


鎖模扣 Z171 LATCH LOCK



設計簡潔，容易安裝。操作時具有高度的可靠性。
經試驗和測試與Z170可以兩選一使用。
Designed simple, easy to install, the height is adjustable when operating. test proved that you can choose one from Z171 and Z170.

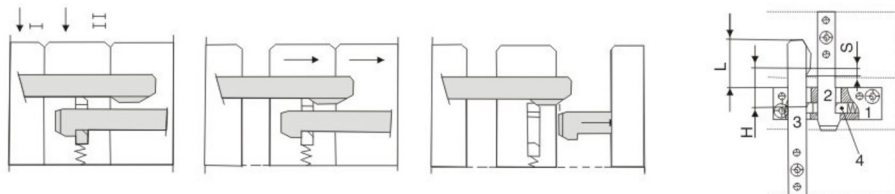


Type	b1mm	l8mm	l9mm	l10mm	b6mm	b3mm	b2mm	h2mm	l1mm	b7mm	b8mm	h3mm	l4mm	b9mm	單價 Unit price
Z171/1	75	22	16	6	6	60	69	6	140	12.5	16	6	140	12.5	750.00
Z171/2	90	31.5	24	8	7	73	83	7.5	180	16	20.5	12.5	180	16	850.00
Z171/3	112	40	30	10	9	88	103	12	250	20	25.5	16	250	20	950.00

Order: Type No. x Pcs
Z171/1 x 10

Example

使用例



鎖模組件系列
Mold locking component series