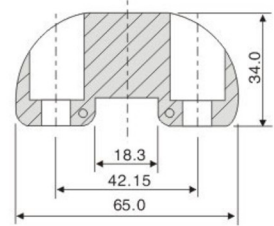
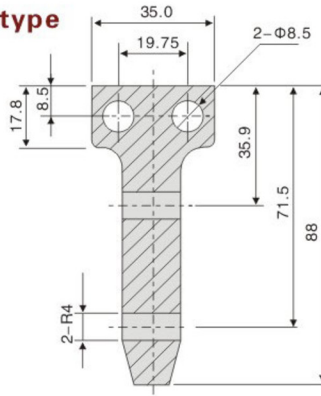


JH061半圓型Half-rotundity type

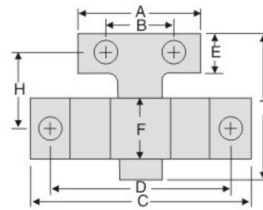


訂購方法：代號
Order: Type



Material	Hardness
M材質	硬度
白鐵SUS404	HRC50°~52°

SL型



Material	Hardness
M材質	硬度
SCM21	HRC55°~60°

裝置之功能及優點：

- 1.利用簡單之構造，可使模具完全打開與密合，且裝置簡單互換性高。
- 2.本裝置最適合三模板之針點射出，有拉斷料頭與脫模一次完全之功能。
- 3.本裝置有四種型：GSL-2型適合5盎司以下之模具，GSL-3型適合中型模具，GSL-4型適合大型模具。
- 4.本裝置採用高級合金鋼熱處理後研磨而成，採用進口彈簧，品質可靠。

Function&Instructions:

- 1.Using simple construction,can open and close the mold completely and inter change easily.
- 2.Excellent for 3-pcs mold plates for its precision injection.It will cut off the excessive materials and leave the mold at the time of finishing.
- 3.4different clamping force:GLS-2 suit for mold below 5ounce,GLS-3 suit for medium model,GLS-4suit for big model.
- 4.This equipment was made by advanced alloy steel and with heat treatment&milling it adopt imported spring,with reliable quality.

Type	A	B	C	D	E	F	H	T	Hole 孔⊕	Force 拉模力kg	Price 單價
JH062-2S	40	26	72	60	20	20	23	49	M8	60	
JH062-2L	36	22					66	96			
JH062-3S	50	30	113	90	22	30	38	73	M10	80	
JH062-3L							79	118			
JH062-4S	50	30	113	90	22	30	38	73	M12	100	
JH062-4L					25		103	135			

● Order:Type