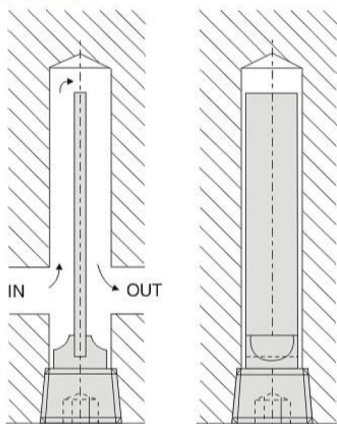


安装隔水片的水孔应以A+1mm以上为准  
The diameter should be above A+1mm to install water water septa.

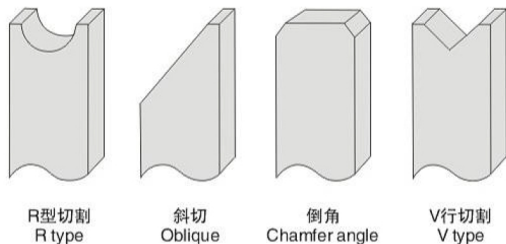
D	A	Thread 螺纹 牙数	Pitch	l	B	B(PT)	T	Type	A	單價 price				
										L50/100	L150	L200	L250	L300
9.728	0.45	28	0.91	7	5	1/8	0.91	JH079-5	6					
									8					
									9					
13.157	0.7	19	1.34	8.9	6	1/4	1.34		10					
									12					
16.662				10	8	3/8			14					

● Order: Type  x

使用范例 Example



隔水片加工范例 Process example



隔水片旋转方向的位置应缠上隔离胶带等，并根据紧固情况来调整。

Enlace adhesive tape in the rotate direction and adjust per the degree of tightness.