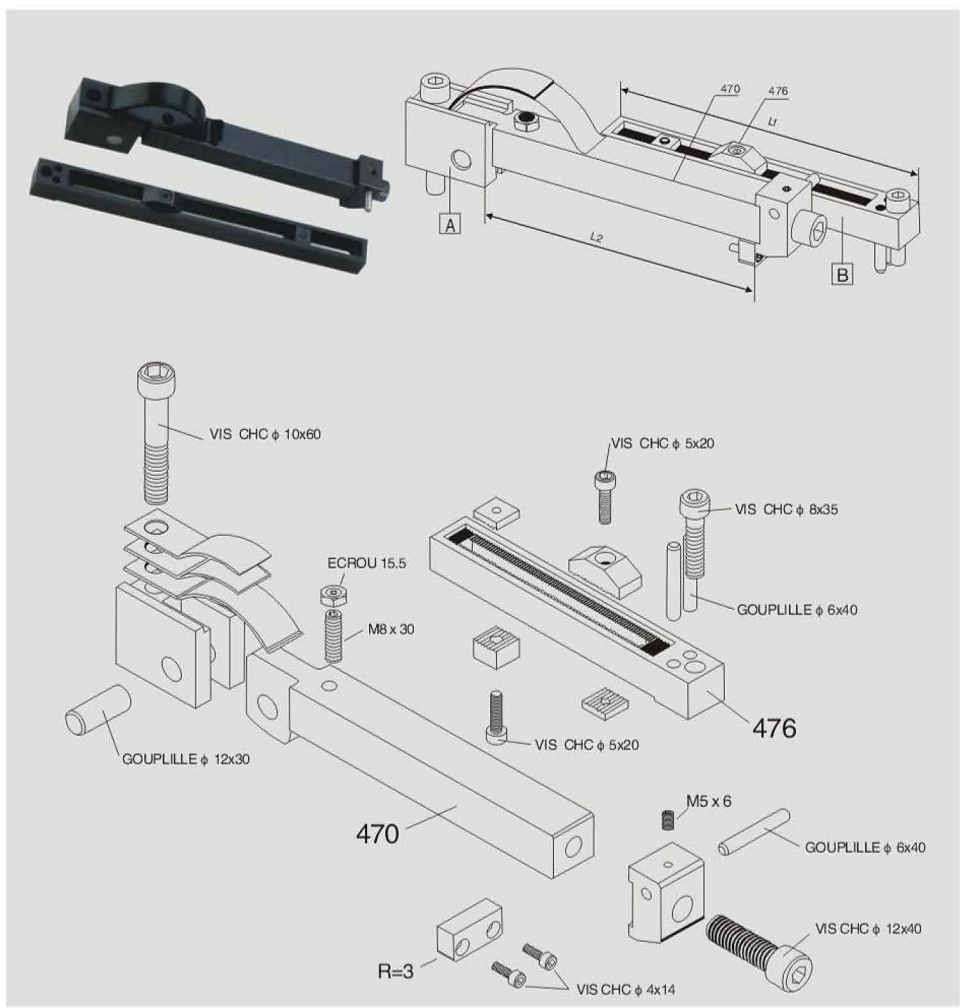
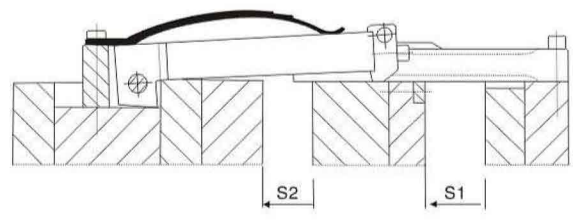


鎖模扣 LATCH LOCK

鎖模組件系列
Mold locking component series



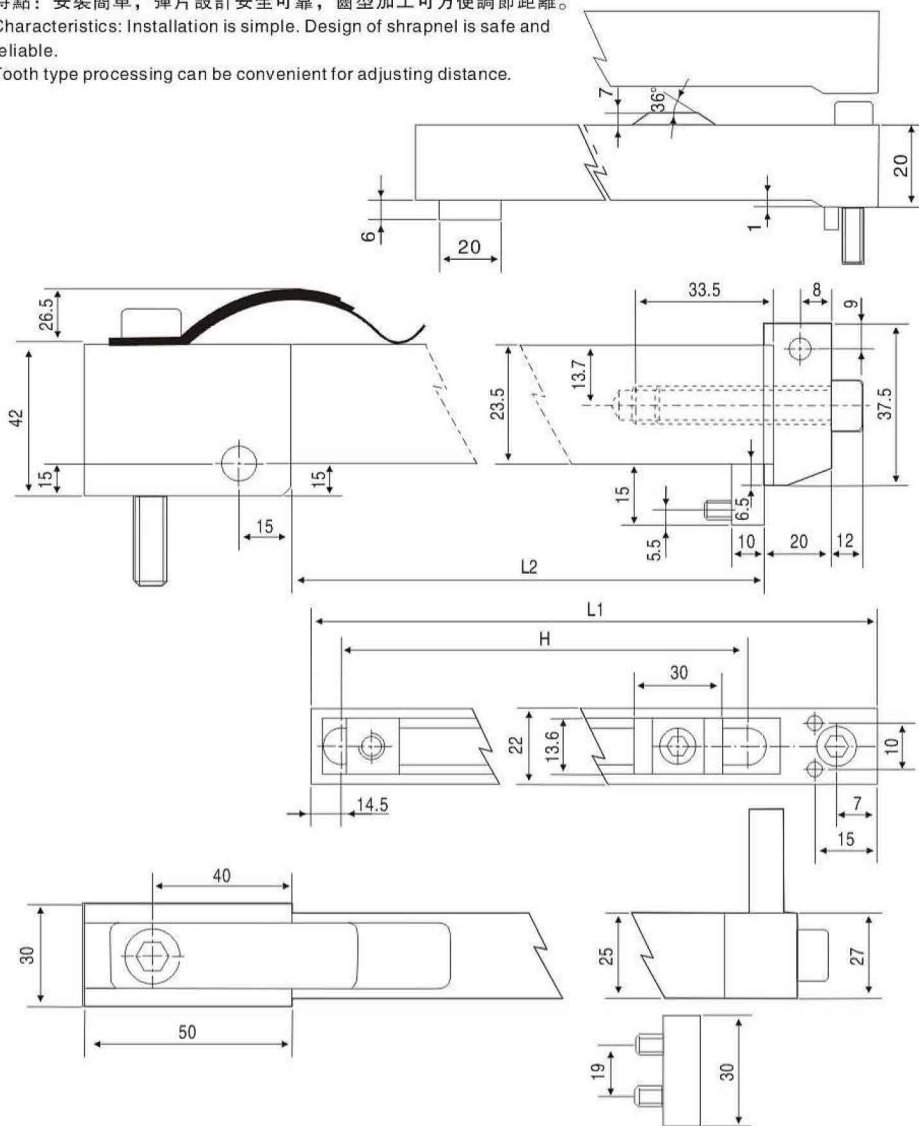
Example
使用例



特點：安裝簡單，彈片設計安全可靠，齒型加工可方便調節距離。

Characteristics: Installation is simple. Design of shrapnel is safe and reliable.

Tooth type processing can be convenient for adjusting distance.



L1	L2	單價 ¥ Unit price
140	90	
204	170	
254	220	